

Press Release

For More Information Contact:

Michael Gauvin
VP Sales & Marketing
Lambda Research Corporation
25 Porter Road
Littleton, MA 01460
Phone: 978-486-0766 Ext. 11
Fax: 978-486-0755
Email: sales@lambdares.com



Lambda Research Corporation Announces the Release of TracePro 7.1

Littleton, Massachusetts – September 1, 2011 –TracePro 7.1 is the latest release of Lambda’s award-winning illumination and optical analysis software. This release features dramatic new visualization capabilities, new path-sorting, enhanced ray sorting and a new multi-core thread setting.

The new 3D visualization feature displays irradiance, illuminance, CIE and true color plots directly on selected curved and planar surfaces and parts in the system view. These 3D plots are intended to help users visually track the propagation of light through any ray-traced system with complete pan, zoom and rotation of the view using standard mouse manipulation. This new graphical capability provides new insight and understanding in how energy and color propagates through an optical/illumination system, providing in-depth views to track down unwanted light and uniformity issues.

The new path sorting feature is perfect for in-depth system analysis. This new feature identifies every non-sequential ray path both quantitatively, using the built-in spreadsheet, and visually, in the system view. This new feature can be used in conjunction with the system view and irradiance/illuminance plots to track down problematic stray light, unwanted energy, and ghost paths in display, lighting, and aerospace applications.

The new enhanced ray sorting feature has been added to visually show bulk scatter and diffraction paths as separate ray paths in the system view. This enhanced feature is especially critical for understanding bulk scatter events in both medical and stray light applications.

Finally, a new option has been added to specify the specific number of threads to use on a multi-core computer. This feature sets the number of cores that TracePro can use while leaving other cores free for foreground applications.

Based in Littleton, Mass., Lambda Research Corporation was founded in 1992 and is a privately held company. Lambda is an industry leader in stray light analysis, illumination system design and analysis, and custom software development. Lambda Research Corporation publishes TracePro® software for optomechanical modeling,

The TracePro Bridge™ for interoperability with Solidworks and OSLO® software for optical design. The company's mission statement is to establish a technology bridge between optical engineers and mechanical engineers by providing state-of-the-art optomechanical design and analysis software, services and technical support to the optics industry worldwide. For more information, please visit the company's web site at www.lambdares.com.

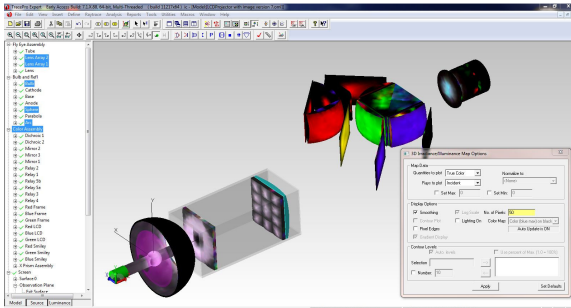


Figure 1 - 3D True Color of an LCD projector system

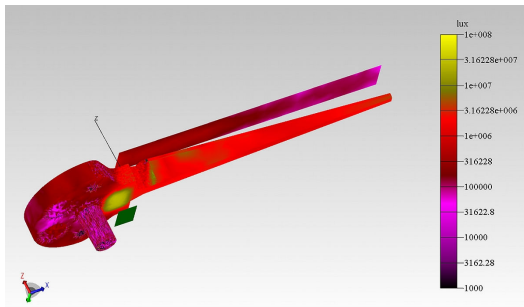


Figure 2 – 3D irradiance plot of the energy on a speedometer needle