

# LASER CODING

Solution by **es CODE**

## Innovative fibre laser

The **es CODE** laser range is the outcome of intense research and development work led, in recent years, by the ES TECHNOLOGY teams. Based on the innovative and widely tested Ytterbium fibre technology, these lasers are displaying a stable and high quality beam. This makes them particularly efficient tools for many applications.

## An ultra-compact scan head

The **es CODE** lasers scan head is exclusively manufactured in ES TECHNOLOGY workshops. It has been especially developed to respond to the needs of applications requiring high reliability and speed. Moreover, the very small dimensions of this scan head makes it really easy to integrate on production lines.



Industrial Laser throughout the World



## Cost effective solution

ES TECHNOLOGY offers **es CODE** lasers at very competitive prices. Besides, the result of the reliability and minimal maintenance needed by the technologies used in **es CODE** lasers, is very low operational costs.

## Industrial design

Just like all lasers manufactured by ES TECHNOLOGY, those belonging to the **es CODE** range are industrially designed. Thus, they perfectly meet the requirements for integration on production sites.

## Quality insurance

To insure you excellence, ES TECHNOLOGY integrate components coming from the best suppliers within its laser cores.

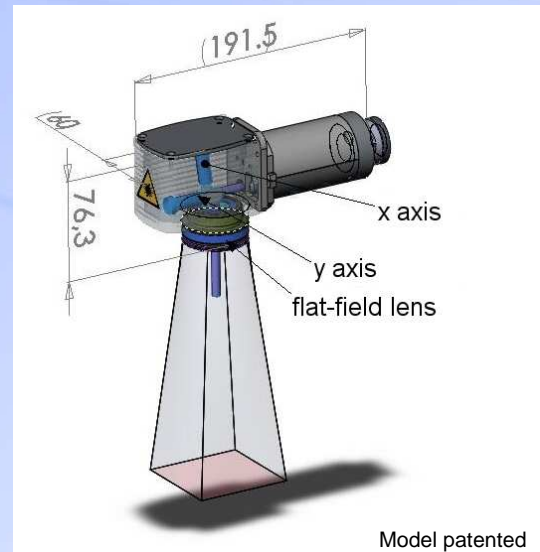


## es CODE - A COMPLETE RANGE OF PRODUCTS

The **es CODE** range consists of two complementary laser types. This allows stationary as well as on the fly marking and coding. **es CODE C300** lasers work at a power of 30 watts. They are able to mark without removing any matter, whilst leaving the treated surfaces totally smooth. As for **es CODE 100** lasers, they work at a power of 10 watts and allow the engraving of products.

## AN ADAPTED HOUSING

Permanently concerned by the possibility to use its lasers in safety, ES TECHNOLOGY has designed a housing particularly well adapted to the **es CODE** range. Its size, reduced to the minimum, allows easy integration, even in the smallest spaces.



Model patented



## TECHNICAL SPECIFICATIONS

Power	10 W or 30 W
Wavelength	1,06 $\mu\text{m}$
Marking field	100 x 100 mm in standard
Spot diameter	49 $\mu\text{m}$ or 52 $\mu\text{m}$
Moving speed	20 $\text{m.s}^{-1}$
Marking speed	600 caracteres. $\text{s}^{-1}$ (caracteres height 1 mm)
Operator interface	10 inches touch screen
Cooling	air
Energy consumption	1,5 kVA
Safety shutter	
Emergency stop	
Class 4 laser	
Connections	: 3 USB ports, PS2, Ethernet, additional connections for monitor, keyboard and mouse
Complete marking software	: multilingual <b>es MARK</b> ; easy and user-friendly CAO/DAO ; file creation, importation and saving ; advanced software allowing the marking of every kind of data

[www.eslaser.com](http://www.eslaser.com)

ES TECHNOLOGY SA  
ZI La Rivière  
F-33850 Léognan  
Tél. : 33 (0) 556 64 40 29  
Fax : 33 (0) 556 64 44 20  
E-mail : [contact@eslaser.com](mailto:contact@eslaser.com)